

8

7

6

5

4

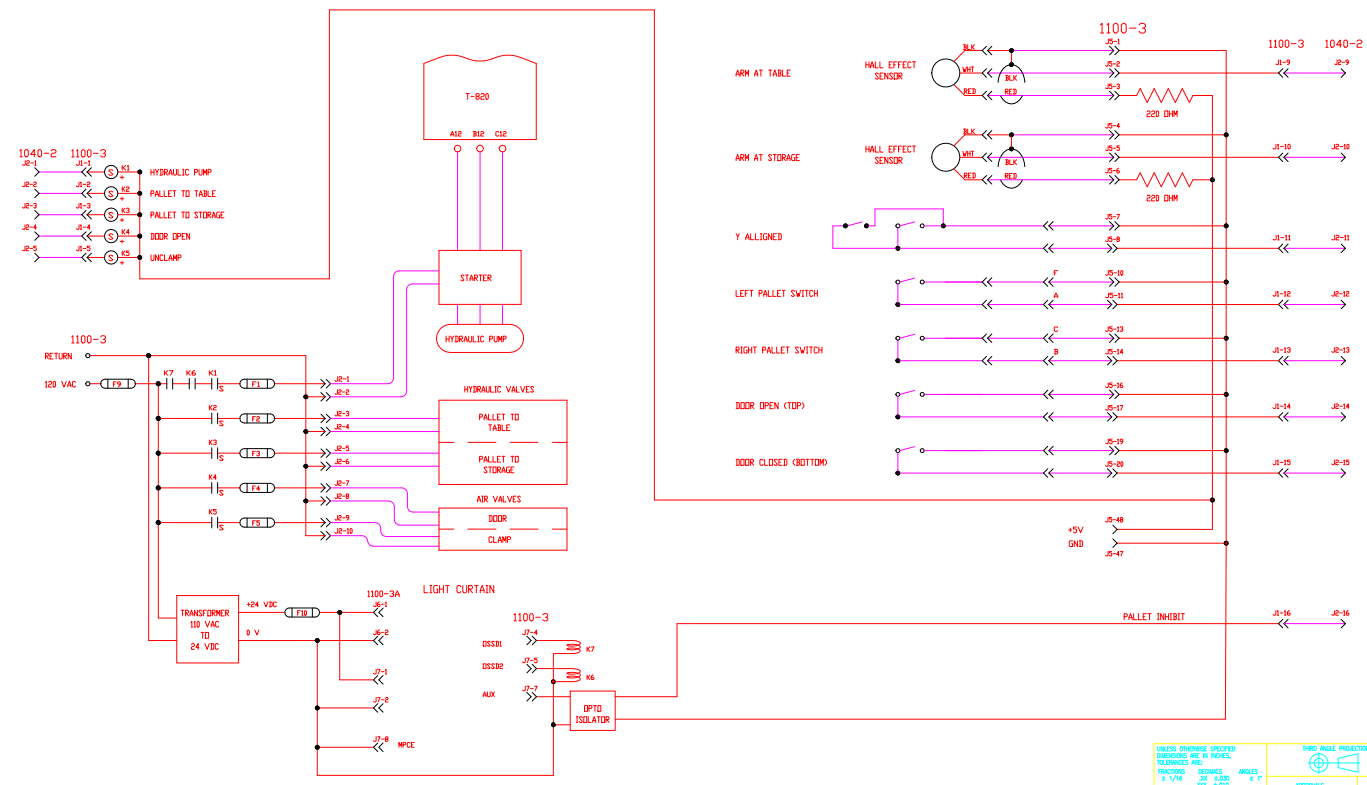
3

2

DRG NO: WRG-0002 5 REV T

NOTES: THIS DRAWING OR MATERIAL CONTAINS PROPRIETARY INFORMATION OF FADAL & SHALL BE RETURNED TO FADAL IN CONFIDENCE OF ORIGINATOR THAT IT WILL NOT BE COPIED OR OTHERWISE DISCLOSED. ANY USE OF THIS DRAWING FOR ANY INFORMATION AND WILL NOT BE HELD OR OBLIGATED TO ANYONE EXCEPT AS AUTHORIZED BY SPECIFIC WRITTEN CONSENT OF FADAL & FAL.

ZONE	LTR	DESCRIPTION	DATE	APPROVED
	J	ALL SHEETS UPDATED AND REVISED FOR CE.	10/27/99	
A5-97	K	UPDATED AND REVISED FOR 100-3A AND NEW LIGHT CURTAIN (ECO-9780)	2/15/00	G.Wooster
	R	ECO-1521, REVISED SHEET 4	6/3/02	G.Wooster
	T	ECO-1521, REVISED SHEET 3	7/8/02	G.Wooster



UNLESS OTHERWISE SPECIFIED DIMENSIONS ARE IN INCHES FRACTIONS ARE 1/16 DECIMALS ARE .001 DIM. TOL. IS .010 UNLESS OTHERWISE SPECIFIED		THIRD ANGLE PROJECTION 		Fadal ENGINEERING CO. 1000 W. 10th St.	
MATERIAL: _____ FINISH: _____ TREATMENT: _____		APPROVALS: _____ DATE: 10/27/99 DRAWN: G. WOOSTER CHECKED: _____ ENGINEER: _____ ENGINEERING MGR.: _____		TITLE: FADAL VMC - ELECTRICAL PALLET CHANGER SIZE: D PREVIOUS P/N: WRG-1002J SCALE: 1/1 DRG. NO.: WRG-1002 SHEET 5 OF 6	

8

7

6

5

4

3

2

1